

# HB 28CP A

## BACKUP ALARM

### CONTENT

1. SPECIFICATIONS
2. DRAWING
3. TEST METHOD
4. RELIABILITY TEST
5. PACKING
6. HISTORY CHANGE RECORD

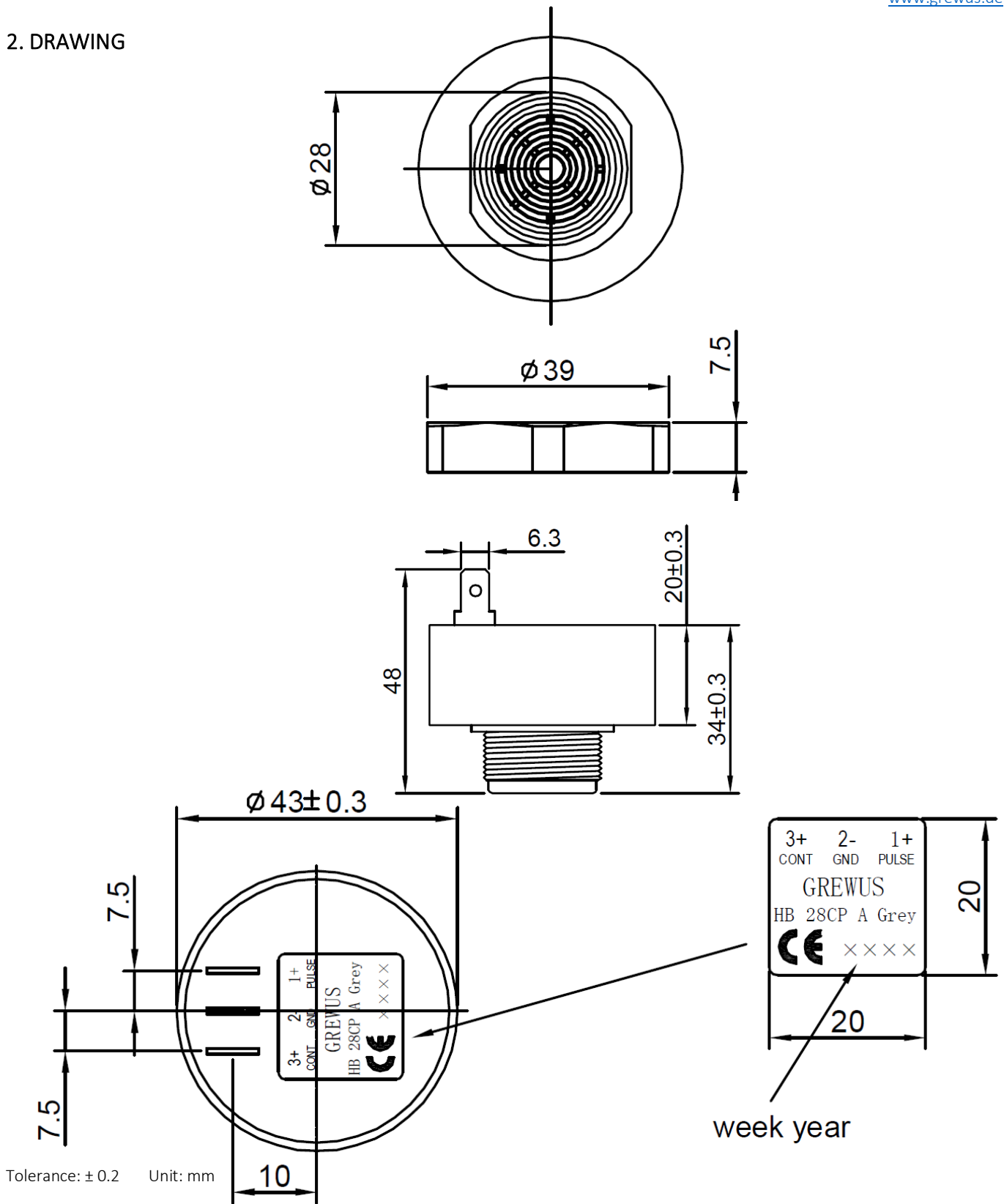


## 1. SPECIFICATIONS

Parameter	Unit	Conditions / Description	MIN	TYP	MAX
Rated Voltage	VDC			12	
Operating Voltage	VDC		5		28
Current Consumption	mA	At rated voltage			20
SPL	dB	At rated voltage, in 1m distance	82	85	88
Resonance Frequency	Hz		2.400	2.900	3.400
Tone Characteristic		Pin2 (-) & Pin3 (+)		CONSTANT TONE	
		Pin1 (+) & Pin2 (-)		PULSE TONE	
		Pin1 (+), Pin3 (+) & Pin2 (-)		PULSE TONE	
IP Rating	IP	After consultation, IP65 is possible		IP54	
Housing Colour				BLACK OR GREY	
Contact				PIN	
Packaging				BOX	
Operating Temperature	°C		-20		+65
Storage Temperature	°C		-30		+75
Weight	g		32	40	48

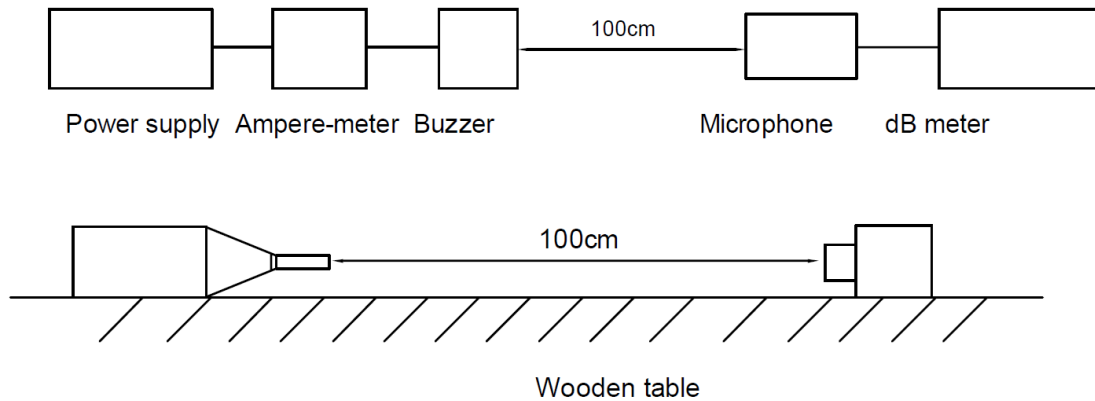
DESIGNED BY	Ralf Hinnerichs	DATE	2007.10.08	PART NO.	HB 28CP A	INDEX	A
RELEASED BY	Ralf Hinnerichs	DATE	2007.10.08				
CHANGED BY	Rabea Richter	DATE	2020.11.25				
DRAWING NO.	393636452						

2. DRAWING



DESIGNED BY	Ralf Hinnerichs	DATE	2007.10.08	PART NO.	HB 28CP A	INDEX	A
RELEASED BY	Ralf Hinnerichs	DATE	2007.10.08				
CHANGED BY	Rabea Richter	DATE	2020.11.25				
DRAWING NO.	393636452						

### 3. TEST METHOD



### 4. RELIABILITY TEST

#### 4.1 High Temperature Test

Temperature +85°C  
Duration 96 hours

#### 4.2 Low Temperature Test

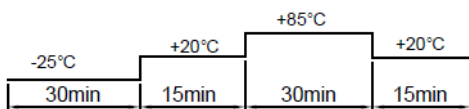
Temperature -20°C  
Duration 96 hours

#### 4.3 Life Test in normal temperature

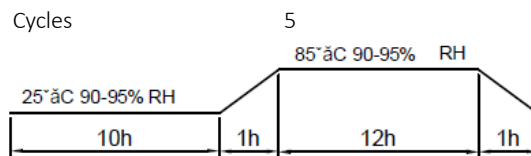
Power Supply 12V  
Duration 500 hours

#### 4.4 Temperature Cycle Test

Cycles 5



#### 4.5 Humidity Cycle Test



All these tests above should be measured after leaving normal temperature for 2 hours.

#### 4.6 Drop Test

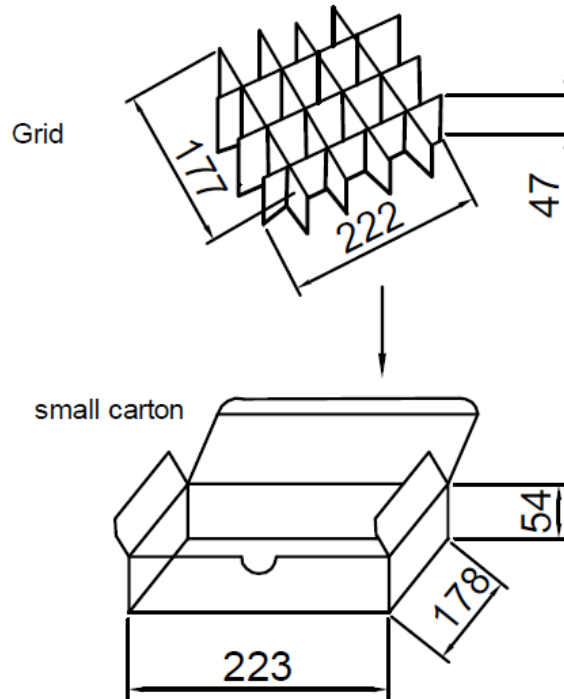
Height 70 cm (to 10mm thick wooden board)  
Direction 3

#### Notice:

All specification must be satisfied in this condition.

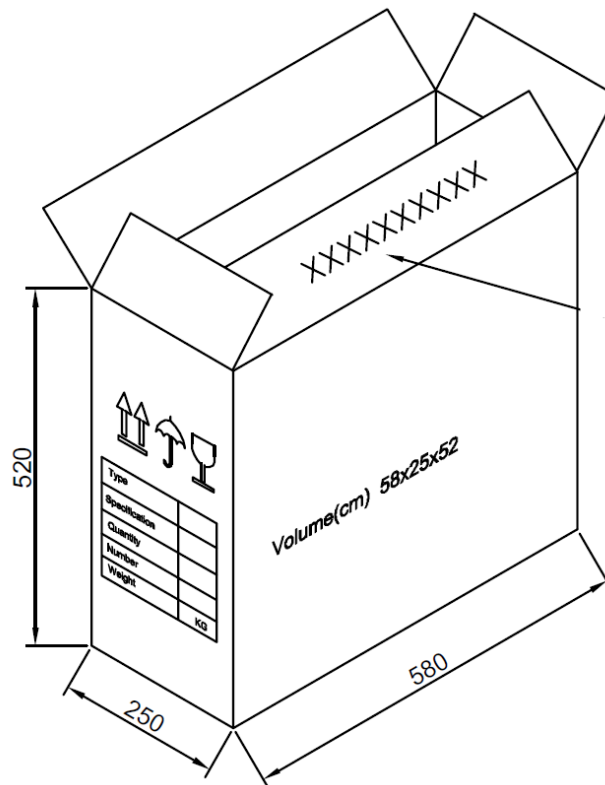
DESIGNED BY	Ralf Hinnerichs	DATE	2007.10.08	PART NO.	HB 28CP A	INDEX	A
RELEASED BY	Ralf Hinnerichs	DATE	2007.10.08				
CHANGED BY	Rabea Richter	DATE	2020.11.25				
DRAWING NO.	393636452						

## 5. PACKING



### 5.1 PACKING QUANTITY

20pcs per box  
 Box size: 223x178x54mm  
 500pcs per carton in total  
 Carton size: 58x25x52cm



DESIGNED BY	Ralf Hinnerichs	DATE	2007.10.08	PART NO.		INDEX	
RELEASED BY	Ralf Hinnerichs	DATE	2007.10.08	HB 28CP A		A	
CHANGED BY	Rabea Richter	DATE	2020.11.25				
DRAWING NO.	393636452						

6. HISTORY CHANGE RECORD

REV	CHANGE ITEMS		DATE
	BEFORE CHANGE	AFTER CHANGE	
1	Old Layout	New Layout	2020.11.25

DESIGNED BY	Ralf Hinnerichs	DATE	2007.10.08	PART NO.	HB 28CP A	INDEX	A
RELEASED BY	Ralf Hinnerichs	DATE	2007.10.08				
CHANGED BY	Rabea Richter	DATE	2020.11.25				
DRAWING NO.	393636452						