

HB 228CP A

BACKUP ALARM

CONTENT

1. SPECIFICATIONS
2. DRAWING
3. TEST METHOD
4. RELIABILITY TEST
5. PACKING
6. HISTORY CHANGE RECORD

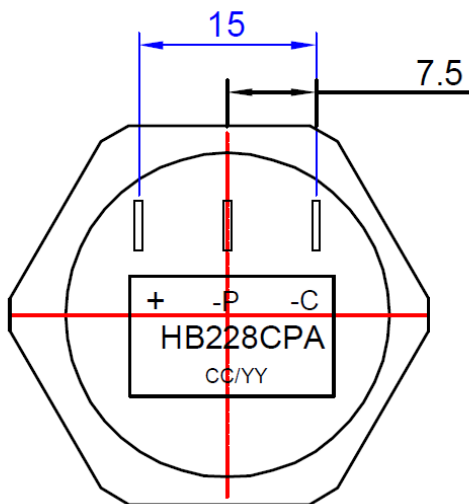
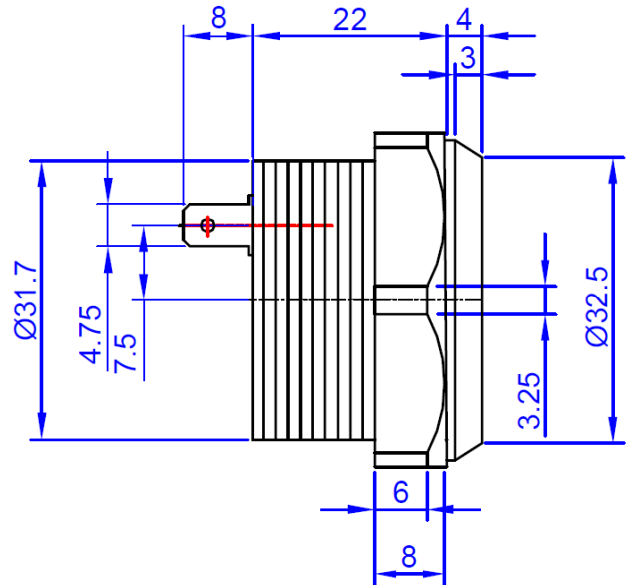
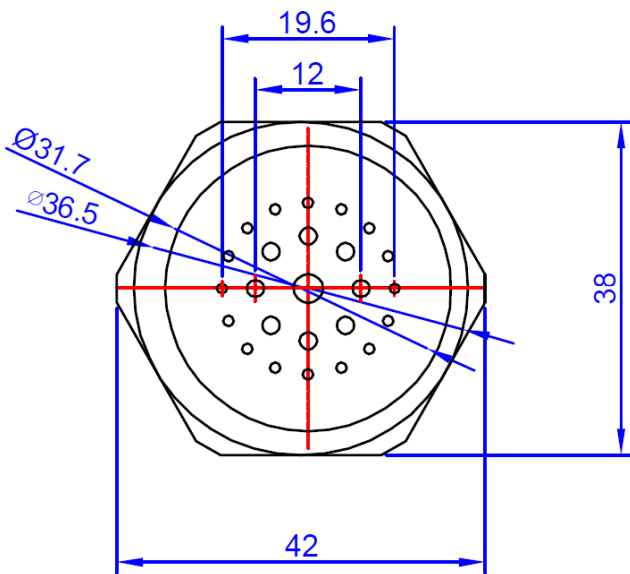


1. SPECIFICATIONS

Parameter	Unit	Conditions / Description	MIN	TYP	MAX
Rated Voltage	VDC			12	
Operating Voltage	VDC		5		28
Current Consumption	mA		3		18
SPL	dB	In 1m distance	82	85	88
Resonance Frequency	Hz		2.500	3.000	3.500
Tone Characteristic		Pin1(+) & Pin3(-C)		CONSTANT TONE	
		Pin1(+) & Pin2(-P)		PULSE TONE	
On-Off Cycles	C/M		80	100	120
IP Rating	IP			65	
Housing Colour				BLACK	
Contact				PIN	
Packaging				BOX	
Operating Temperature	°C		-20		+65
Storage Temperature	°C		-30		+75
Weight	g		20	25	30

DESIGNED BY	Ralf Hinnerichs	DATE	2010.07.28	PART NO.	HB 228CP A	INDEX	A
RELEASED BY	Ralf Hinnerichs	DATE	2010.07.28				
CHANGED BY	Rabea Richter	DATE	2019.09.17				
DRAWING NO.	403874878						

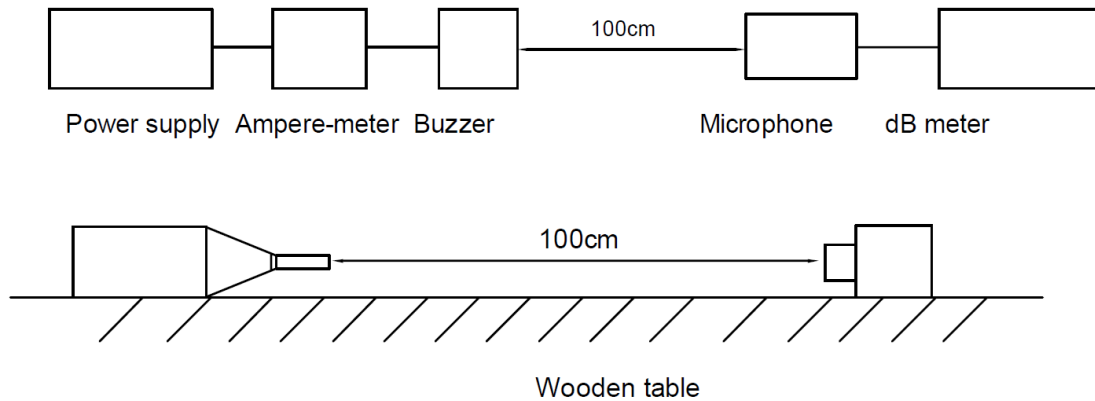
2. DRAWING



Tolerance: ± 0.2 Unit: mm

DESIGNED BY	Ralf Hinnerichs	DATE	2010.07.28	PART NO.	HB 228CP A	INDEX	A
RELEASED BY	Ralf Hinnerichs	DATE	2010.07.28				
CHANGED BY	Rabea Richter	DATE	2019.09.17				
DRAWING NO.	403874878						

3. TEST METHOD



4. RELIABILITY TEST

4.1 High Temperature Test

Temperature +75°C
Duration 96 hours

4.2 Low Temperature Test

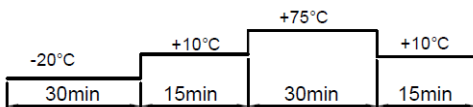
Temperature -20°C
Duration 96 hours

4.3 Life Test in normal temperature

Power Supply 12V
Duration 500 hours

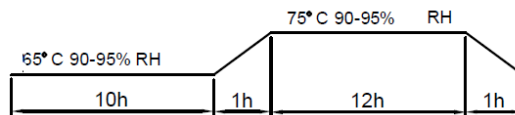
4.4 Temperature Cycle Test

Cycles 5



4.5 Humidity Cycle Test

Cycles 5



All these tests above should be measured after leaving normal temperature for 2 hours.

4.6 Drop Test

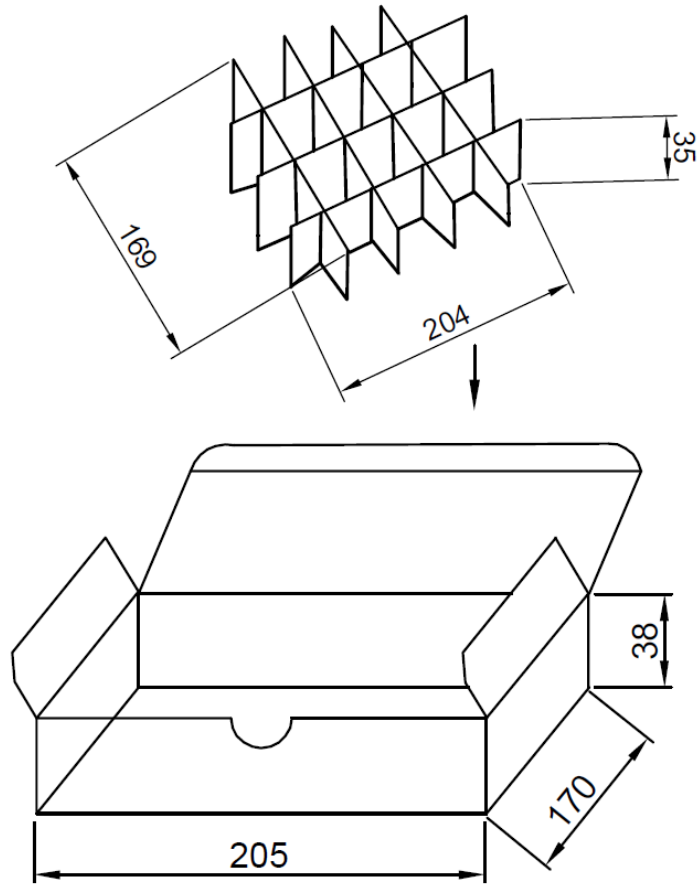
Height 70 cm (to 10mm thick wooden board)
Direction 3

Notice:

All specification must be satisfied in this condition.

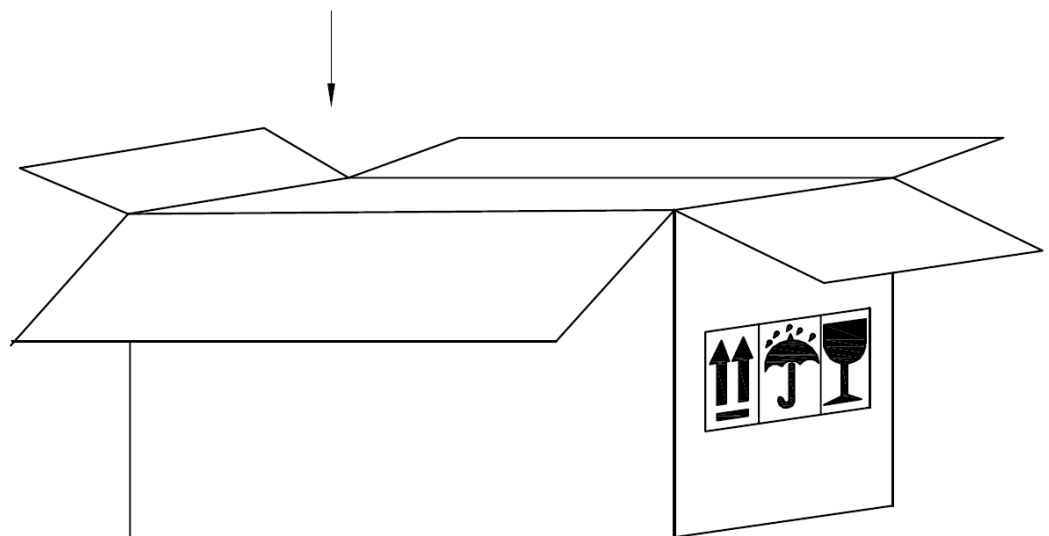
DESIGNED BY	Ralf Hinnerichs	DATE	2010.07.28	PART NO.	HB 228CP A	INDEX	A
RELEASED BY	Ralf Hinnerichs	DATE	2010.07.28				
CHANGED BY	Rabea Richter	DATE	2019.09.17				
DRAWING NO.	403874878						

5. PACKING



5.1 PACKING QUANTITY

20pcs per box
 Box size: 205x170x38mm
 33 boxes per carton
 660pcs per carton in total
 Carton size: 56x23x50cm



DESIGNED BY	Ralf Hinnerichs	DATE	2010.07.28	PART NO.	HB 228CP A	INDEX	A
RELEASED BY	Ralf Hinnerichs	DATE	2010.07.28				
CHANGED BY	Rabea Richter	DATE	2019.09.17				
DRAWING NO.	403874878						

6. HISTORY CHANGE RECORD

REV	CHANGE ITEMS		DATE
	BEFORE CHANGE	AFTER CHANGE	
1		Change the packing, add Reliability Test	2011.11.10
2	Old Layout	New Layout	2019.09.17

DESIGNED BY	Ralf Hinnerichs	DATE	2010.07.28	PART NO. HB 228CP A	INDEX A
RELEASED BY	Ralf Hinnerichs	DATE	2010.07.28		
CHANGED BY	Rabea Richter	DATE	2019.09.17		
DRAWING NO.	403874878				