

BPI 2612P-08 A

PIEZO BUZZER

CONTENT

1. SPECIFICATIONS
2. DRAWING
3. TEST METHOD
4. RELIABILITY TEST
5. PACKING
6. NOTICE
7. HISTORY CHANGE RECORD



1. SPECIFICATIONS

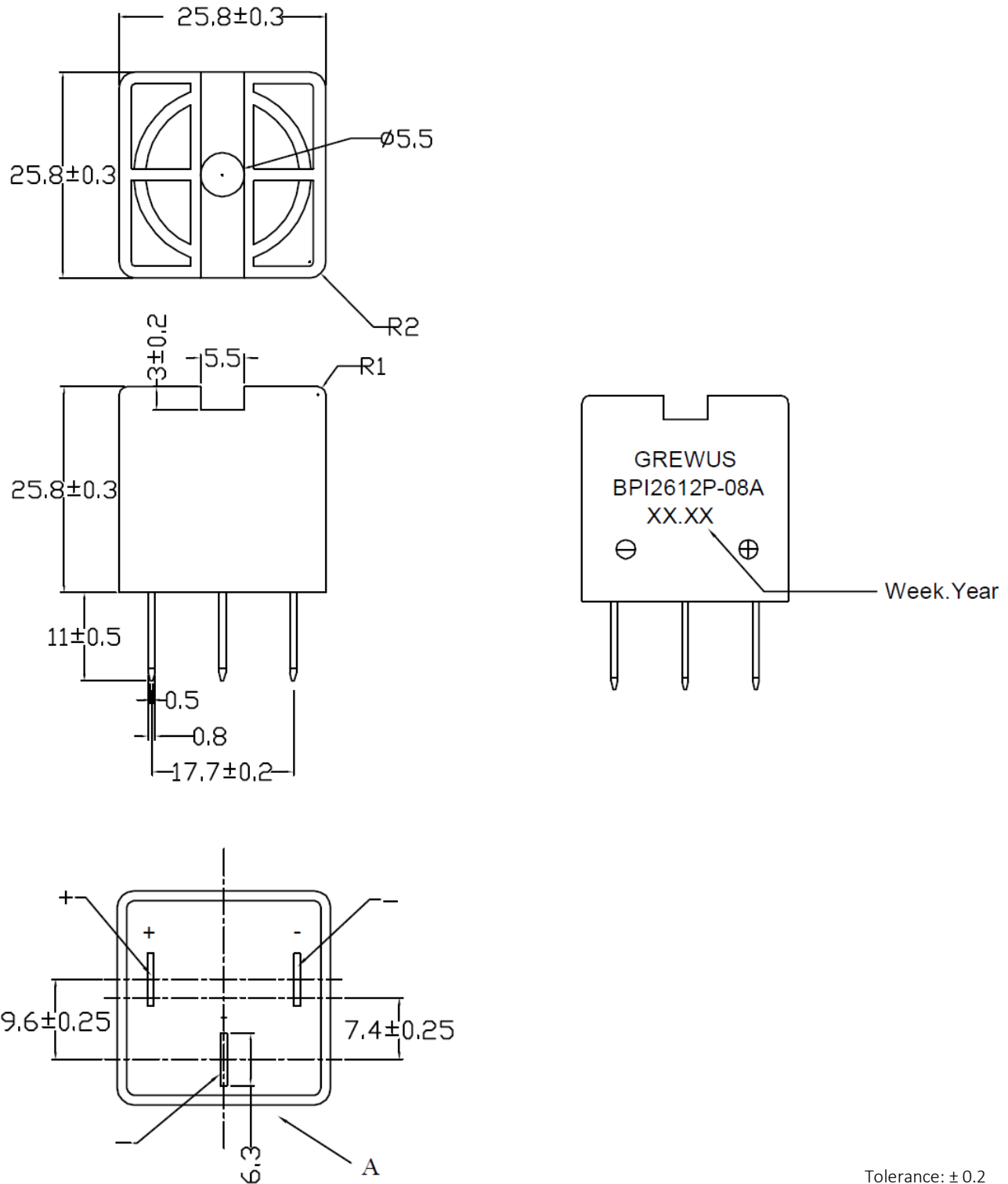
Parameter	Unit	Conditions / Description	MIN	TYP	MAX
Rated Voltage	VDC			24	
Operating Voltage	VDC		9		30
Rated Current	mA	Value applying at rated voltage			70
SPL	dB	Value applying at rated voltage In 30cm distance	92		
Resonance Frequency	Hz	Value applying at rated voltage	2.800	3.300	3.800
Housing Colour				BLACK	
Tone Characteristic				PULSE TONE	
Contact				PIN	
Packaging				TRAY	
Operating Temperature	°C		-20		+85
Storage Temperature	°C		-30		+85
Weight	g			20	

DESIGNED BY	Ralf Hinnerichs	DATE	2008.01.02	PART NO.	BPI 2612P-08 A	INDEX	A
RELEASED BY	Ralf Hinnerichs	DATE	2008.01.02				
CHANGED BY	Rabea Richter	DATE	2019.09.16				
DRAWING NO.	394496474						

BPI 2612P-08 A

PIEZO BUZZER

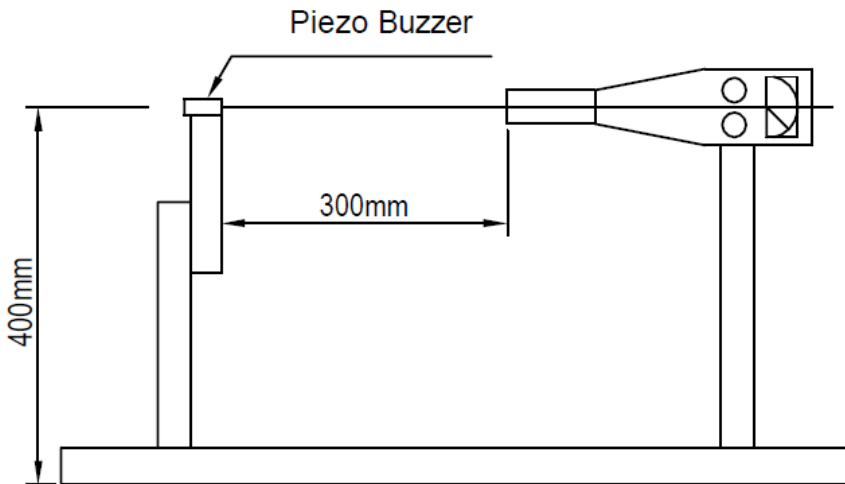
2. DRAWING



Tolerance: ± 0.2 Unit: mm

DESIGNED BY	Ralf Hinnerichs	DATE	2008.01.02	PART NO.	BPI 2612P-08 A	INDEX	A
RELEASED BY	Ralf Hinnerichs	DATE	2008.01.02				
CHANGED BY	Rabea Richter	DATE	2019.09.16				
DRAWING NO.	394496474						

3. TEST METHOD



4. RELIABILITY TEST

4.1 High Temperature Test

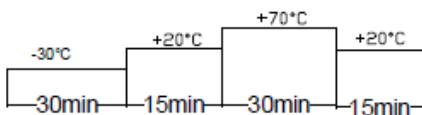
Temperature +85°C
Duration 96 hours

4.2 Low Temperature Test

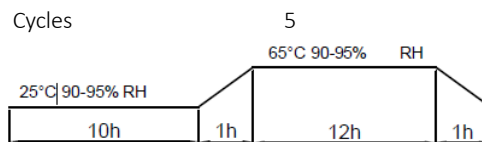
Temperature -30°C
Duration 96 hours

4.3 Temperature Cycle Test

Cycles 5



4.4 Humidity Cycle Test



All these tests above should be measured after leaving normal temperature for 2 hours.

4.5 Drop Test

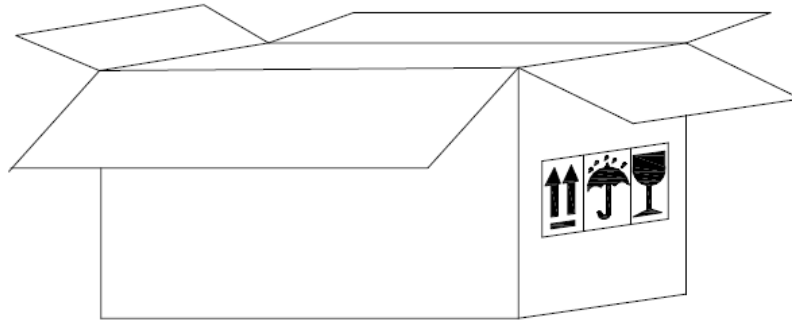
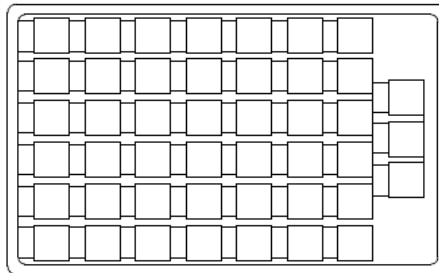
Height 70 cm (to 10mm thick wooden board)
Direction 3

Notice:

All specification must be satisfied in this condition.

DESIGNED BY	Ralf Hinnerichs	DATE	2008.01.02	PART NO.	BPI 2612P-08 A	INDEX	A
RELEASED BY	Ralf Hinnerichs	DATE	2008.01.02				
CHANGED BY	Rabea Richter	DATE	2019.09.16				
DRAWING NO.	394496474						

5. PACKING



5.1 PACKING QUANTITY

45pcs per tray
 21 trays per carton
 945pcs per carton in total
 Carton size: 66x36x30cm

6. HISTORY CHANGE RECORD

REV	CHANGE ITEMS		DATE
	BEFORE CHANGE	AFTER CHANGE	
1		Add Reliability Test	2011.11.23
2	Old Layout	New Layout	2019.09.16

DESIGNED BY	Ralf Hinnerichs	DATE	2008.01.02	PART NO.	BPI 2612P-08 A	INDEX	A
RELEASED BY	Ralf Hinnerichs	DATE	2008.01.02				
CHANGED BY	Rabea Richter	DATE	2019.09.16				
DRAWING NO.	394496474						