

# BME 1205P-03 A

MAGNETIC BUZZER

[www.grewus.de](http://www.grewus.de)

## CONTENT

1. Specifications
2. Drawing
3. Test Method
4. Reliability Test
5. Notice
6. Packing
7. History Change Record

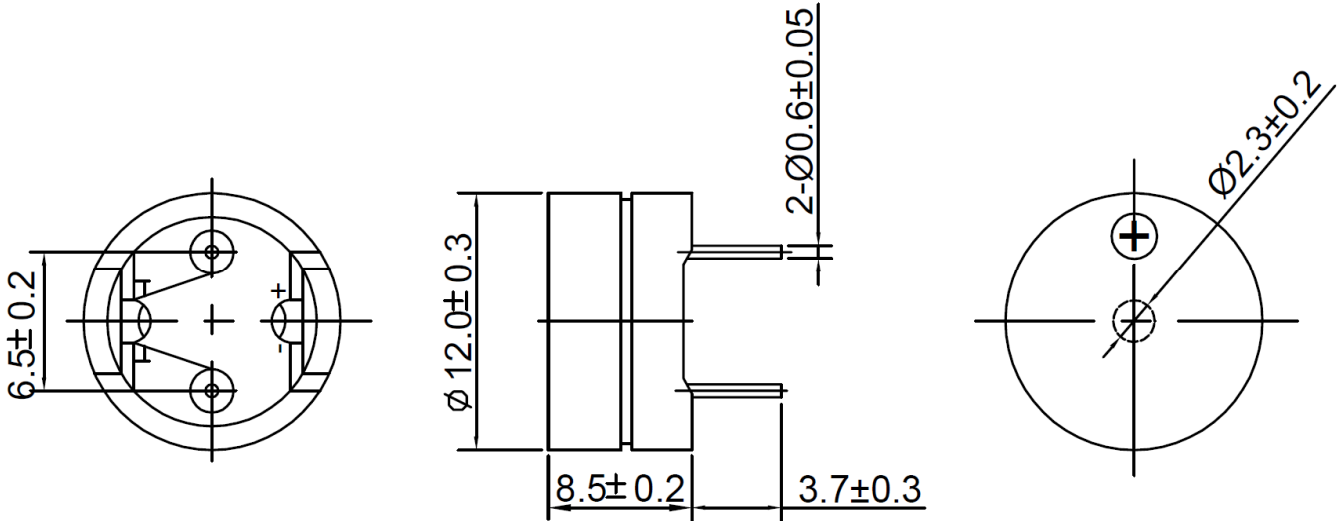


## 1. SPECIFICATIONS

Parameter	Unit	Conditions / Description	MIN	TYP	MAX
Operating Voltage	Vo-p		1		7
Rated Voltage	Vo-p			5	
SPL	dBa	Value applying at rated voltage (2048Hz, 5Vo-p, 1/2 duty, square wave) In 10 cm distance	85		
Rated Current	mA	Value applying at rated voltage (2048Hz, 5Vo-p, 1/2 duty, square wave)			40
Resonance Frequency	Hz			2.048	
Coil Impedance	$\Omega$	Value applying at rated voltage (2048Hz, sine wave, measuring current 60 $\mu$ A)		140	
Coil Resistance	$\Omega$		42.5	50	57.5
Housing Colour				BLACK	
Contact				PIN	
Packaging				TRAY	
Operating Temperature	$^{\circ}$ C		-20		+70
Storage Temperature	$^{\circ}$ C		-30		+80
Weight	g			2	

DESIGNED BY	Ralf Hinnerichs	DATE	2014.04.11	PART NO.	BME 1205P-03 A	INDEX	A
RELEASED BY	Ralf Hinnerichs	DATE	2014.04.11				
CHANGED BY	Rabea Richter	DATE	2019.10.18				
DRAWING NO.	417403930						

### 2. DRAWING

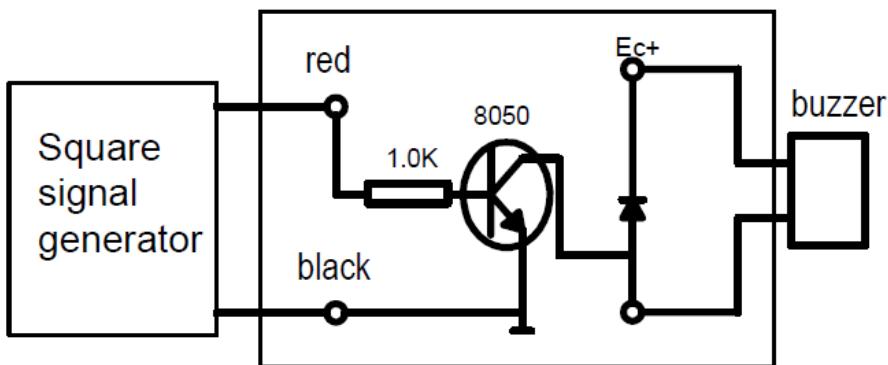


Tolerance  $\pm 0.3$  Unit: mm

### 3. TEST METHOD

#### 3.1 RECOMMENDED CIRCUIT

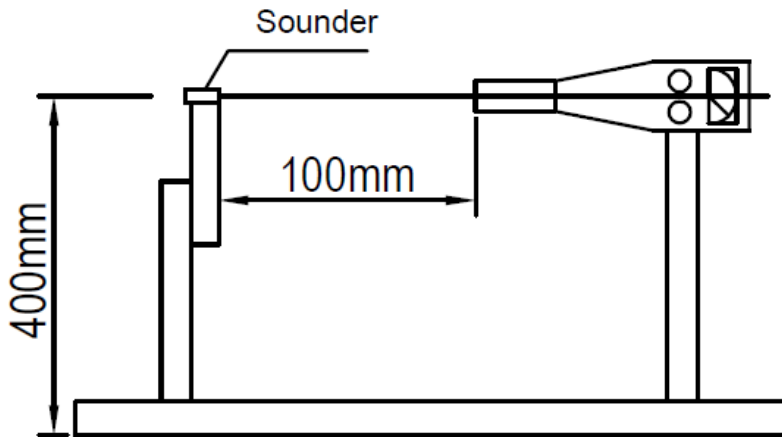
The following are examples of externally driven circuits.



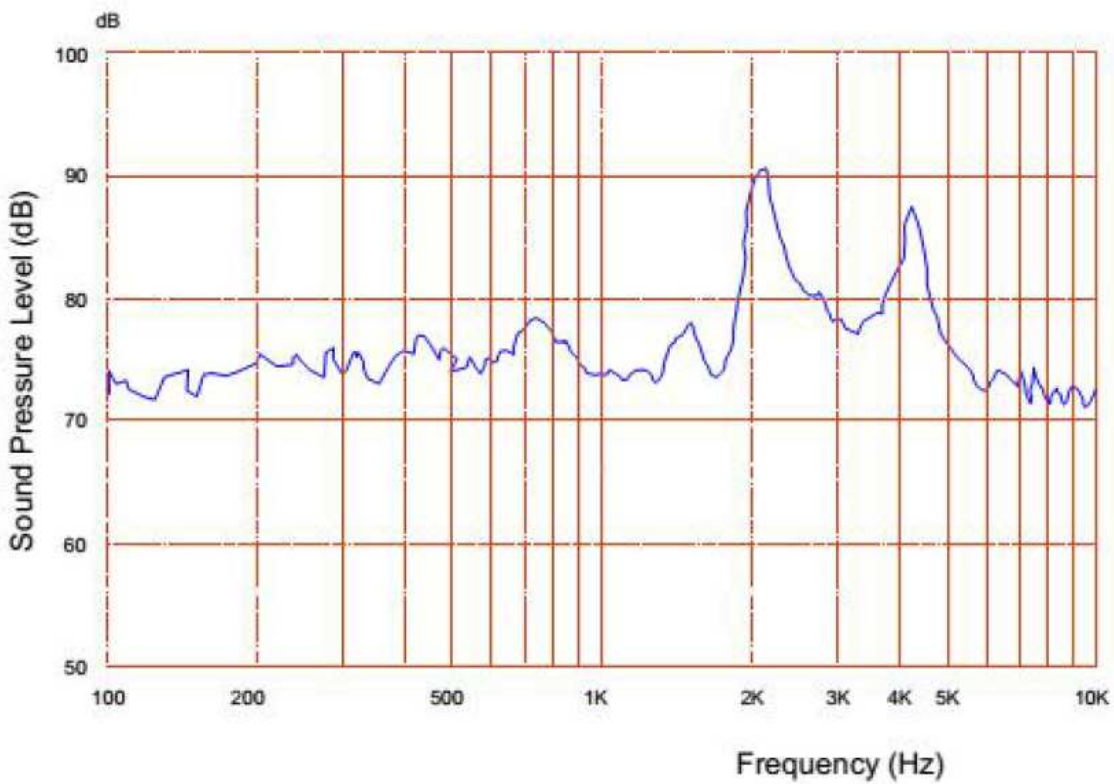
DESIGNED BY	Ralf Hinnerichs	DATE	2014.04.11	PART NO.	BME 1205P-03 A	INDEX	A
RELEASED BY	Ralf Hinnerichs	DATE	2014.04.11				
CHANGED BY	Rabea Richter	DATE	2019.10.18				
DRAWING NO.	417403930						

### 3.2 STANDARD TEST FIXTURE

No reaction in space with in 400mm in all direction



### 3.3 FREQUENCY RESPONSE CURVE (Square wave, 5Vo-p, 10cm)



DESIGNED BY	Ralf Hinnerichs	DATE	2014.04.11	PART NO.	BME 1205P-03 A	INDEX	A
RELEASED BY	Ralf Hinnerichs	DATE	2014.04.11				
CHANGED BY	Rabea Richter	DATE	2019.10.18				
DRAWING NO.	417403930						

#### 4. RELIABILITY TEST

##### 4.1 High Temperature Test

Temperature +80°C  
Duration 96 hours

##### 4.2 Low Temperature Test

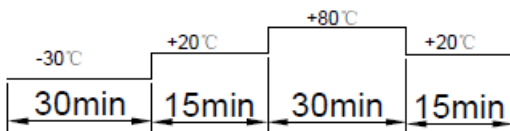
Temperature -30°C  
Duration 96 hours

##### 4.3 Life Test in normal Temperature

Power supply Rated voltage  
Duration 500 hours

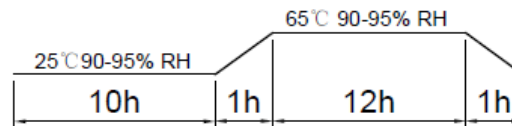
##### 4.4 Temperature Cycle Test

Cycles 5



##### 4.5 Humidity Cycle Test

Cycles 5



All these tests above should be measured after leaving normal temperature for 4 hours.

##### 4.6 Drop Test

Height 70cm (to 10mm thick wooden board)  
Direction two times for each direction x, y, z (total 6 times)

##### 4.7 Solderability Test

Soldering temperature 255 ±5°C  
Heat applying time 3 ±0.5 seconds

**Notice:** All specification must be satisfied in this condition except SPL. SPL shall be 82dB or more.

#### 5. NOTICE

##### 5.1 The products mustn't be washed

##### 5.2 Storage Condition

The products should be stored in a room, where the temperature/humidity is stable. And avoid such places where there are large temperature changes. Please store the products at the following conditions:

Temperature: -10 to + 40 C Humidity: 15 to 85% R.H.

##### 5.3 Expire Date on Storage

Expire date (Shelf life) of the products is six months after delivery under the conditions of a sealed and an unopened package. Please use the products within six months after delivery.

If you store the products for a long time (more than six months), use them carefully, because the products may be degraded in the solderability and/or rusty. Please confirm solderability and characteristics for the products regularly.

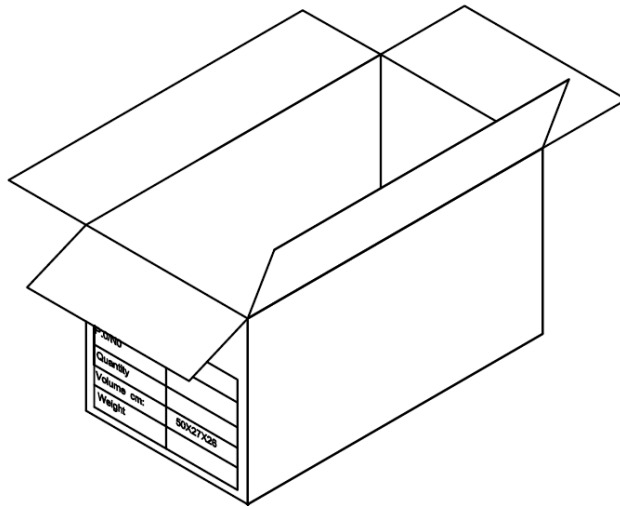
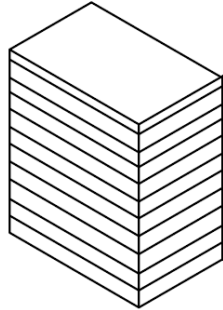
##### 5.4 Notice on Product Storage

(1) Please do not store the products in a chemical atmosphere (Acids, Alkali, Bases, Organic gas, Sulfides and so on), because the characteristics may be reduced in quality, and/or be degraded in the solderability due to the storage in a chemical atmosphere.

(2) Please use the products immediately after the package is opened, because the characteristics may be reduced in quality, and/or be degraded in the solderability due to storage under the poor condition.

DESIGNED BY	Ralf Hinnerichs	DATE	2014.04.11	PART NO.	BME 1205P-03 A	INDEX	A
RELEASED BY	Ralf Hinnerichs	DATE	2014.04.11				
CHANGED BY	Rabea Richter	DATE	2019.10.18				
DRAWING NO.	417403930						

## 6. PACKING



### 6.2 PACKING QUANTITY

100 pcs per tray  
30 trays per carton  
3.000 pcs per carton in total  
Carton size 50x27x26cm

## 7. HISTORY CHANGE RECORD

REV	CHANGE ITEMS		DATE
	BEFORE CHANGE	AFTER CHANGE	
1	Old Layout	New Layout	2019.10.18
2		Add Reliability Test	2019.10.18

DESIGNED BY	Ralf Hinnerichs	DATE	2014.04.11	PART NO.	BME 1205P-03 A	INDEX	A
RELEASED BY	Ralf Hinnerichs	DATE	2014.04.11				
CHANGED BY	Rabea Richter	DATE	2019.10.18				
DRAWING NO.	417403930						