

Content



1. General

Operating temperature: -20°C bis +60°C component weight [g]: 0,6
 Storage temperature: -30°C bis +70°C
 Contact: SMD housing color: black
 Packageing: tor IP rating:
 ESD conform
 RoHs conform: yes
 Remark:

2. Electrical and acoustical specification

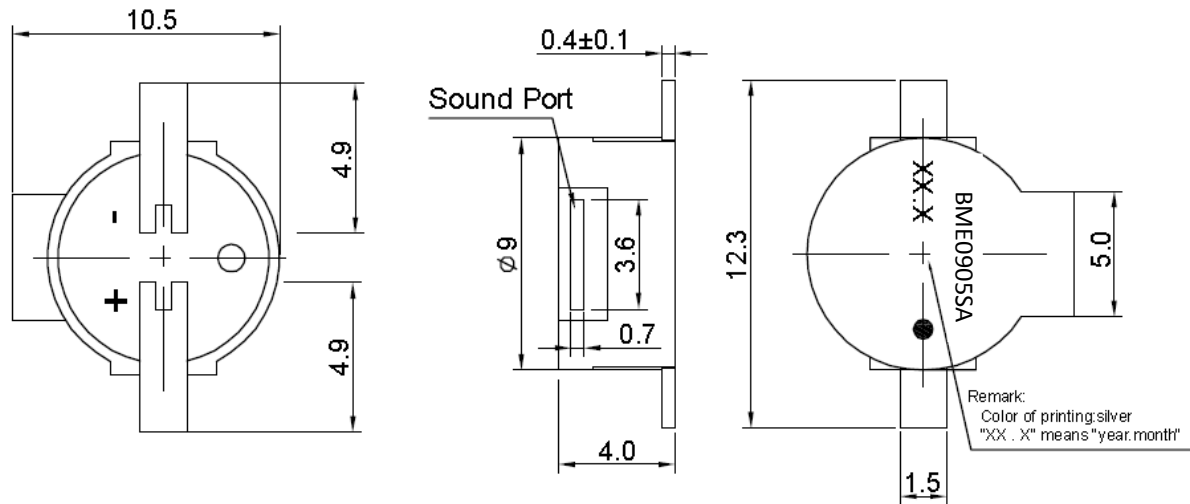
Description	Value	Tolerance
Rated voltage [V] Vpp	5	
Operating voltage [V] Vpp	4 -	6
Frequency [Hz]	2730	
SPL [dBA] in 10cm / 5V pp	≥ 85	
Current consumption [mA]	≤ 80	
DC resistance [Ω]	30	± 3

Remark:

Transmittal, reproduction, dissemination and / or editing of this document as well as utilization of its contents and communication thereof to others without express authorization are prohibited. Offenders will be held liable for payment of damages. All rights created by patent grant or registration of a utility model or design patent are reserved.

GREWUS		dimensions without tolerance: ± 0.3	scale:	
Designed by: Ralf Hinnerichs	12.08.2014	part number: BME 0905S A	index:	Last update:
Released by: Ralf Hinnerichs	12.08.2014		A	12.08.2014
drawing number: 418633929		Buzzer	Page 1 of 4	

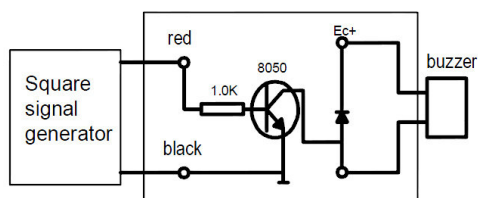
3. Drawing



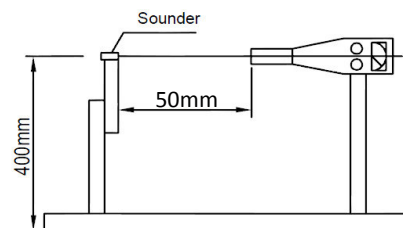
Tolerance: ± 0.3
Unit: mm

4. Test conditions

Test circuit

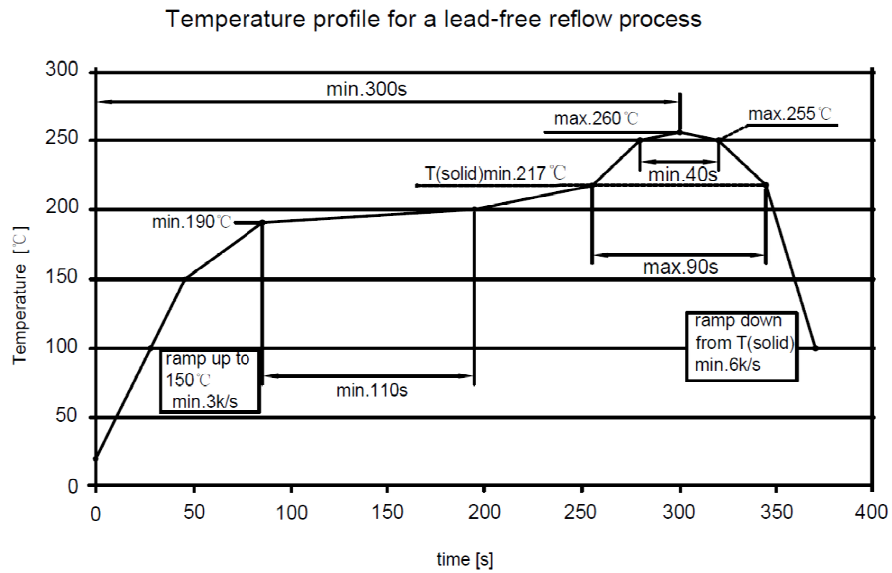


Test assembly



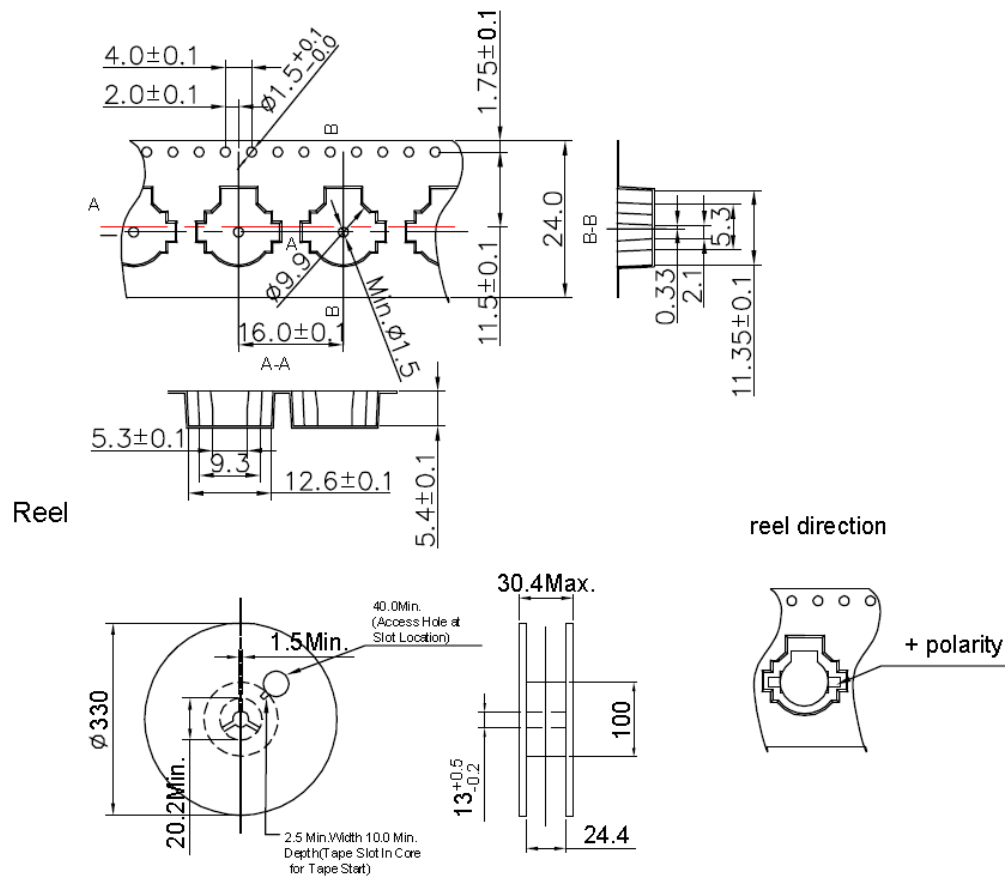
GREWUS			Dimensions without tolerance ± 0.3		Scale
Designed by	Hinnerichs	12.08.2014	Part number	Index	Date
Released by	Hinnerichs	12.08.2014	BME 0905S A	A	12.08.2014
Drawing number	416276052			Page	2 of 4

5. Recommended reflow conditions



GREWUS			Dimensions without tolerance ± 0.3		Scale	
Designed by	Hinnerichs	12.08.2014	Part number BME 0905S A	Index	Date	
Released by	Hinnerichs	12.08.2014		A	12.08.2014	
Drawing number 416276052			Page		3 of 4	

6. Packaging



Packing Quantity :800 pcs per reel
 5 reels per carton (Total 4000 pcs)
 carton size 38x28x37

GREWUS			Dimensions without tolerance ± 0.3		Scale	
Designed by	Hinnerichs	12.08.2014	Part number BME 0905S A	Index	Date	
Released by	Hinnerichs	12.08.2014		A	12.08.2014	
Drawing number 416276052			Page		4 of 4	